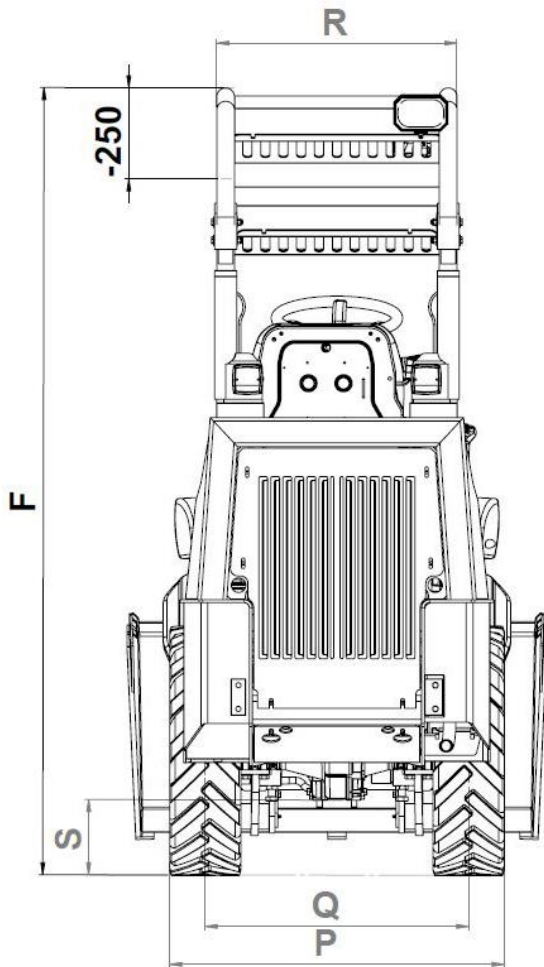
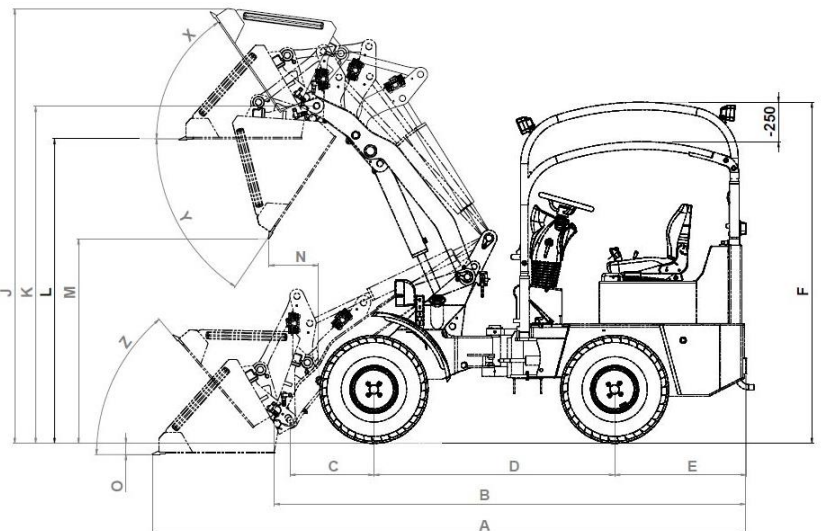
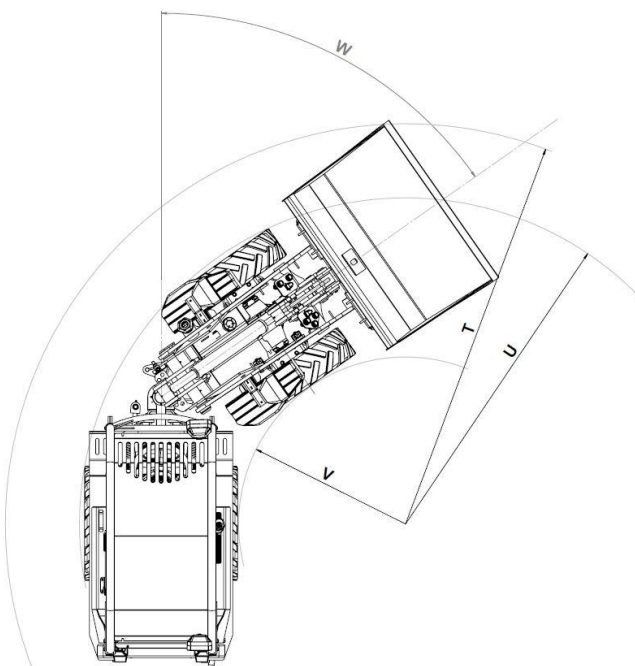


# Datasheet 2220 L



		<b>2220L</b>
	Lifting capacities (shovel)	<b>1500 kg</b>
	Tipping loads – shovel	
	Machine in straight line*	<b>1150 kg</b>
	Machine-articulated position (45°)*	<b>900 kg</b>
	Tipping loads palet fork (50cm)*	
	Machine in straight line*	<b>1100 kg</b>
	Machine articulated position (45°)*	<b>600 kg</b>
<b>A</b>	Total length with shovel	<b>3750 mm</b>
<b>B</b>	Total length without shovel	<b>2990 mm</b>
<b>C</b>	Axle middle to shovel pivot pin	<b>530 mm</b>
<b>D</b>	Wheelbase	<b>1523 mm</b>
<b>E</b>	Rear overhang	<b>830 mm</b>
<b>F</b>	Height over Rops-Fops protection cage	<b>2160 mm</b>
<b>J</b>	Total working height	<b>2760 mm</b>
<b>K</b>	Height of the shovel pivot pin	<b>2150 mm</b>
<b>L</b>	Load-over height	<b>1940 mm</b>
<b>M</b>	Dumping height	<b>1320 mm</b>
<b>N</b>	Operating distance for M	<b>340 mm</b>
<b>O</b>	Digging depth	<b>70 mm</b>
<b>P</b>	Total width Standard tires	<b>920 mm</b>
<b>Q</b>	Track width	<b>722 mm</b>
<b>R</b>	Width over Protective roof	<b>660 mm</b>
<b>S</b>	Ground clearance	<b>205 mm</b>
<b>T</b>	Maximum radius (external)	<b>2400 mm</b>
<b>U</b>	Radius over outer edge	<b>1955 mm</b>
<b>V</b>	Inside turning radius	<b>1000 mm</b>
<b>W</b>	Angle of articulation	<b>55°</b>
<b>X</b>	Rollback angle at max. lifting height	<b>55°</b>
<b>Y</b>	Dumping angle (maxi.)	<b>53°</b>
<b>Z</b>	Rollback angle on ground	<b>50°</b>
	Volume Hydraulic oil tank	<b>36l</b>
	Volume Diesel tank	<b>28l</b>
	Weight on front axle	<b>400 kg</b>
	Weight on rear axle	<b>960 kg</b>
	Empty weight	<b>1360 kg</b>
	Operating weight	<b>1560 kg</b>



Data without additional cast weight Measures with standard tires

Measurements, non-contractual, subject to change depending on tires and attachments.

All information subject to change due to R&D.