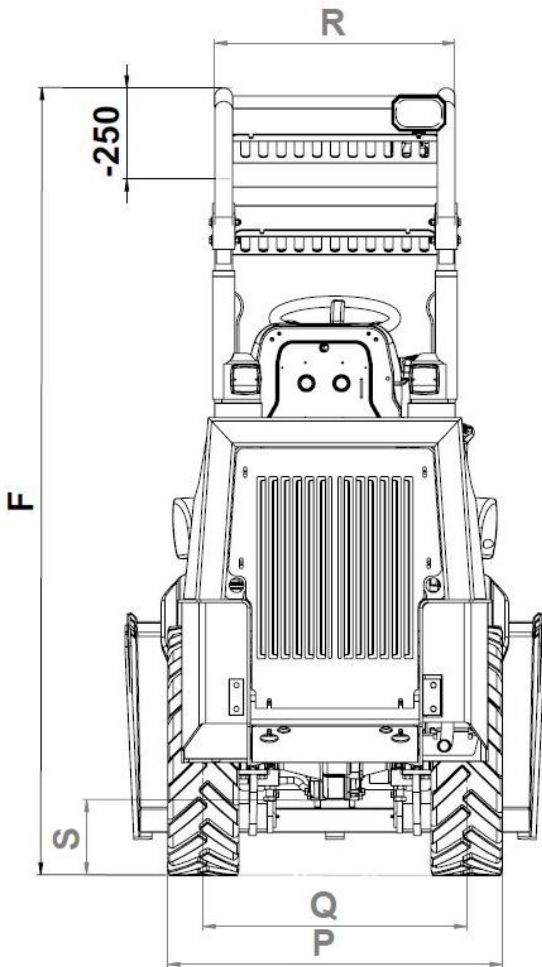
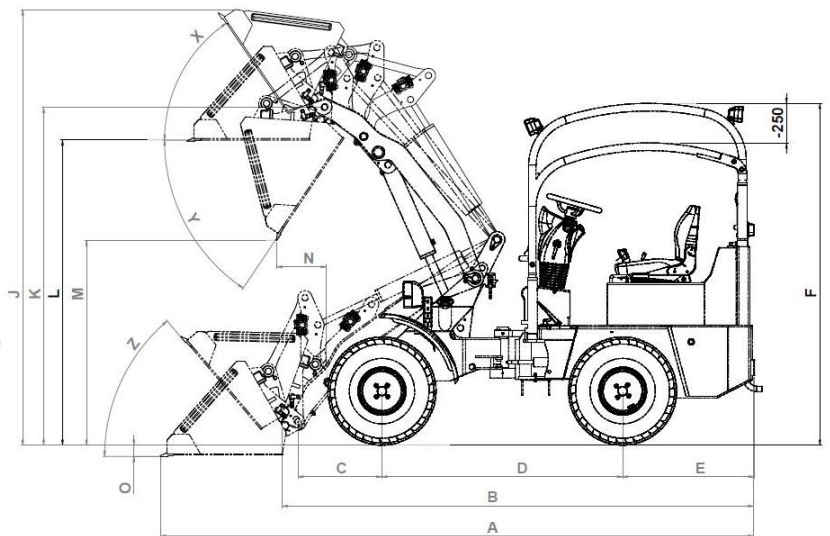
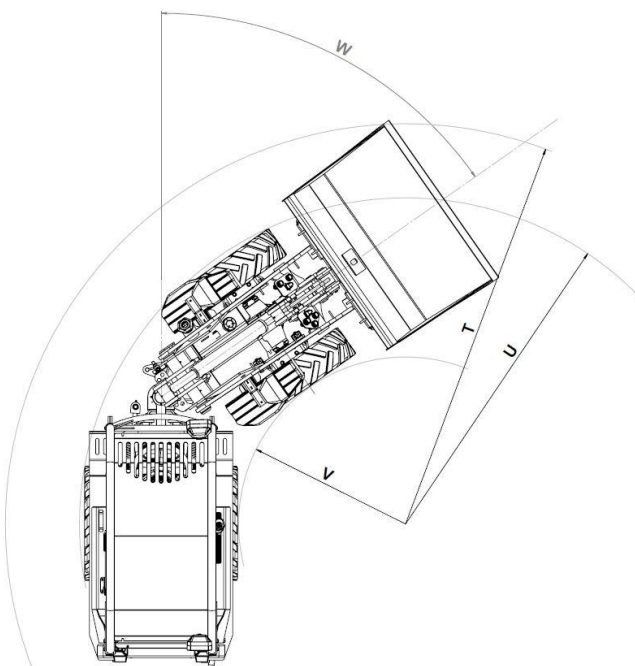


Datenblatt 2220 S



| | | |
|---|---------------------------------------|---------|
| | | 2220S |
| | Lifting capacities (shovel) | 1500 kg |
| | Tipping loads – shovel | |
| | Machine in straight line* | 1100 kg |
| | Machine-articulated position (45°)* | 900 kg |
| | Tipping loads pallet fork (50cm)* | |
| | Machine in straight line* | 900 kg |
| | Machine articulated position (45°)* | 600 kg |
| | | |
| A | Total length with shovel | 3790 mm |
| B | Total length without shovel | 3020 mm |
| C | Axle middle to shovel pivot pin | 550 mm |
| D | Wheelbase | 1523 mm |
| E | Rear overhang | 830 mm |
| F | Height over Rops-Fops protection cage | 2160 mm |
| J | Total working height | 3275 mm |
| K | Height of the shovel pivot pin | 2708 mm |
| L | Load-over height | 2480 mm |
| M | Dumping height | 1935 mm |
| N | Operating distance for M | 325 mm |
| O | Digging depth | 70 mm |
| P | Total width Standard tires | 920 mm |
| Q | Track width | 722 mm |
| R | Width over Protective roof | 660 mm |
| S | Ground clearance | 205 mm |
| T | Maximum radius (external) | 2450 mm |
| U | Radius over outer edge | 1955 mm |
| V | Inside turning radius | 1000 mm |
| W | Angle of articulation | 55° |
| X | Rollback angle at max. lifting height | 50° |
| Y | Dumping angle (maxi.) | 47° |
| Z | Rollback angle on ground | 50° |
| | Volume Hydraulic oil tank | 36l |
| | Volume Diesel tank | 37l |
| | Weight on front axle | 430 kg |
| | Weight on rear axle | 960 kg |
| | Empty weight | 1410 kg |
| | Operating weight | 1610 kg |



Data without additional cast weight Measures with standard tires

Measurements, non-contractual, subject to change depending on tires and attachments.

All information subject to change due to R&D.