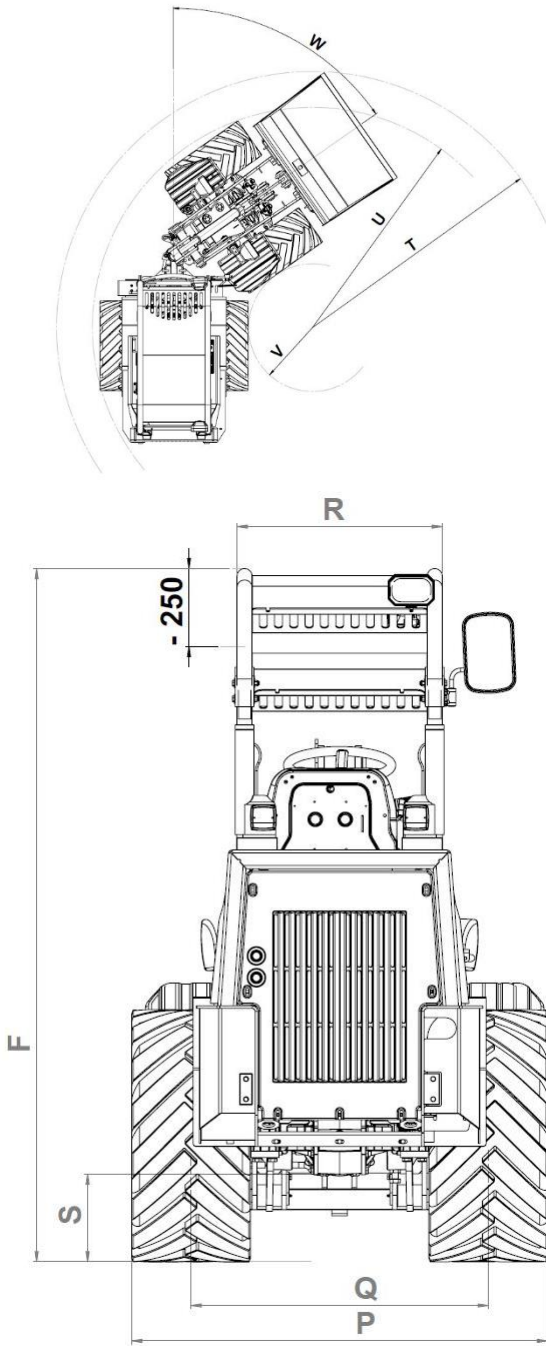


Datasheet 2230 H (derated)



		2230H
	Lifting capacities (shovel)	1300 kg
	Tipping loads - shovel*	
	Machine in straight line*	1100 kg
	Machine articulated position (45°)*	800 kg
	Tipping loads palet fork (50cm)*	
	Machine in straight line*	750 kg
	Machine articulated position (45°)	490 kg
A	Total length with shovel	4180 mm
B	Total length without shovel	3420 mm
C	Axle middle to shovel pivot pin	848 mm
D	Wheelbase	1572 mm
E	Rear overhang	880 mm
F	Height over Rops-Fops protection cage	2210 mm
J	Total working height	3520 mm
K	Height of the shovel pivot pin	2935 mm
L	Load-over height	2710 mm
M	Dumping height	2220 mm
N	Operating distance for M	510 mm
O	Digging depth	20 mm
P	Total width Standard tires	1120 mm
Q	Track width	840 mm
R	Width over Protective roof	660 mm
S	Ground clearance	240 mm
T	Maximum radius (external)	2680 mm
U	Radius over outer edge	2100 mm
V	Inside turning radius	1030 mm
W	Angle of articulation	55°
X	Rollback angle at max. lifting height	54°
Y	Dumping angle (maxi.)	43°
Z	Rollback angle on ground	55°
	Volume Hydraulic oil tank	35l
	Volume Diesel tank	37l
	Weight on front axle	570 kg
	Weight on rear axle	1100 kg
	Empty weight	1670 kg
	Operating weight	1870 kg

Data without additional cast weight
Measures with standard tires

Measurements, non-contractual, subject to change depending on tires and attachments.

All information subject to change due to R&D.

