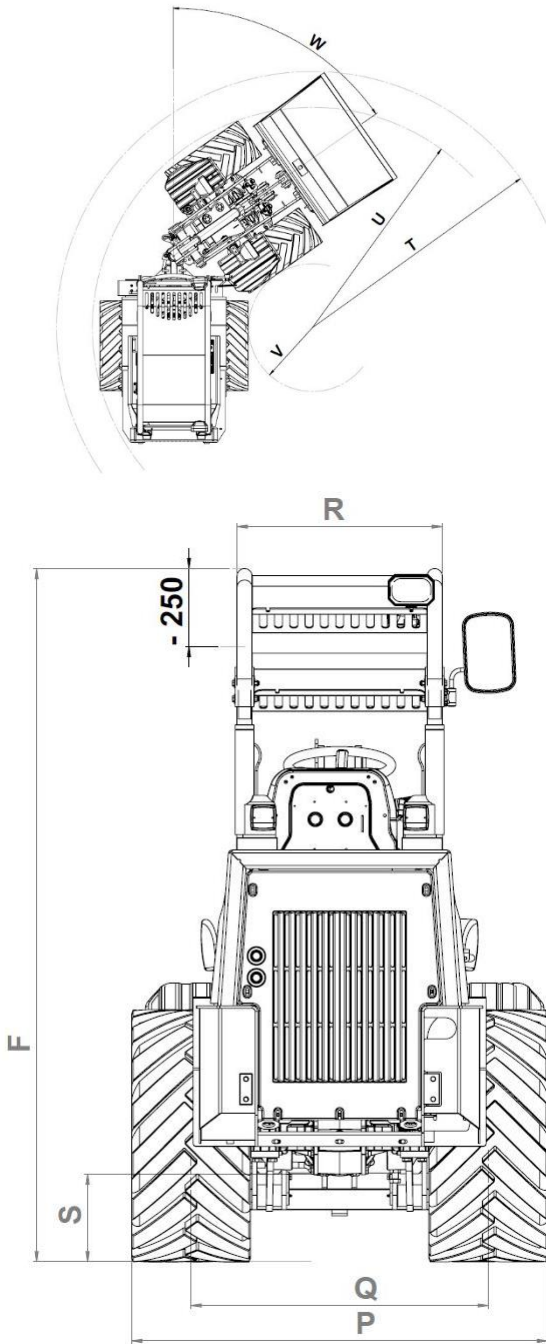


Datasheet 2230 L (derated)



		2230L
	Lifting capacities (shovel)	1600 kg
	Tipping loads - shovel*	
	Machine in straight line*	1400 kg
	Machine articulated position (45°)*	1100 kg
	Tipping loads palet fork (50cm)*	
	Machine in straight line*	1000 kg
	Machine articulated position (45°)	625 kg
A	Total length with shovel	3830 mm
B	Total length without shovel	3094 mm
C	Axle middle to shovel pivot pin	530 mm
D	Wheelbase	1572 mm
E	Rear overhang	880 mm
F	Height over Rops-Fops protection cage	2210 mm
J	Total working height	2820 mm
K	Height of the shovel pivot pin	2210 mm
L	Load-over height	1995 mm
M	Dumping height	1375 mm
N	Operating distance for M	340 mm
O	Digging depth	25 mm
P	Total width Standard tires	1120 mm
Q	Track width	840 mm
R	Width over Protective roof	660 mm
S	Ground clearance	240 mm
T	Maximum radius (external)	2430 mm
U	Radius over outer edge	2100 mm
V	Inside turning radius	1030 mm
W	Angle of articulation	55°
X	Rollback angle at max. lifting height	55°
Y	Dumping angle (maxi.)	53°
Z	Rollback angle on ground	50°
	Volume Hydraulic oil tank	35l
	Volume Diesel tank	28l
	Weight on front axle	470 kg
	Weight on rear axle	1100 kg
	Empty weight	1570 kg
	Operating weight	1770 kg

Data without additional cast weight
Measures with standard tires

Measurements, non-contractual, subject to change depending on tires and attachments.

All information subject to change due to R&D.

