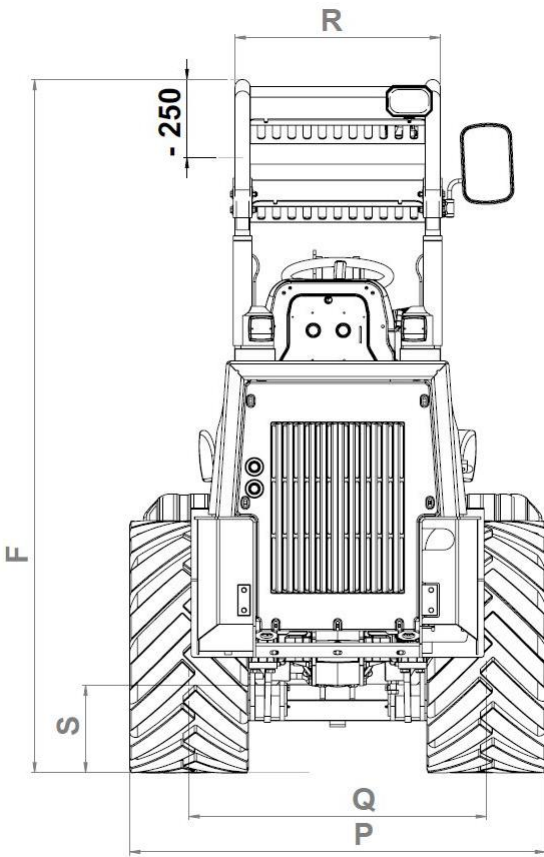
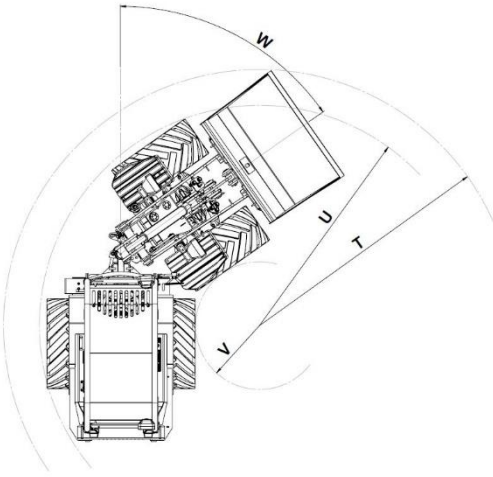


# Datasheet 2230 S (derated)



		2230S
	Lifting capacities (shovel)	1500 kg
	Tipping loads - shovel*	
	Machine in straight line*	1300 kg
	Machine articulated position (45°)*	1000 kg
	Tipping loads palet fork (50cm)*	
	Machine in straight line*	900 kg
	Machine articulated position (45°)	550 kg
A	Total length with shovel	3870 mm
B	Total length without shovel	3110 mm
C	Axle middle to shovel pivot pin	550 mm
D	Wheelbase	1572 mm
E	Rear overhang	880 mm
F	Height over Rops-Fops protection cage	2210 mm
J	Total working height	3340 mm
K	Height of the shovel pivot pin	2760 mm
L	Load-over height	2580 mm
M	Dumping height	2040 mm
N	Operating distance for M	330 mm
O	Digging depth	25 mm
P	Total width Standard tires	1120 mm
Q	Track width	840 mm
R	Width over Protective roof	660 mm
S	Ground clearance	240 mm
T	Maximum radius (external)	2505 mm
U	Radius over outer edge	2100 mm
V	Inside turning radius	1030 mm
W	Angle of articulation	55°
X	Rollback angle at max. lifting height	50°
Y	Dumping angle (maxi.)	47°
Z	Rollback angle on ground	50°
	Volume Hydraulic oil tank	35l
	Volume Diesel tank	37l
	Weight on front axle	520 kg
	Weight on rear axle	1100 kg
	Empty weight	1620 kg
	Operating weight	1820 kg

Data without additional cast weight  
Measures with standard tires

Measurements, non-contractual, subject to change depending on tires and attachments.

All information subject to change due to R&D.

