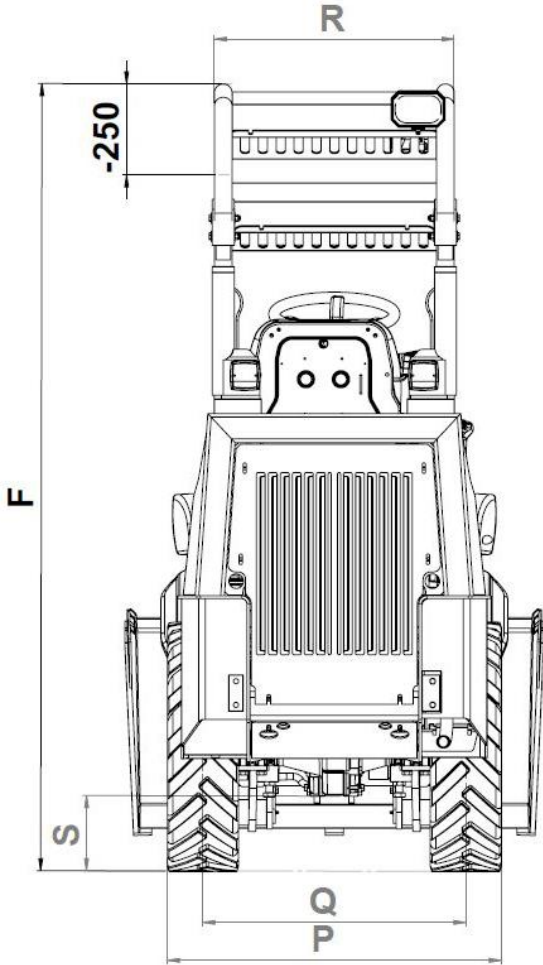
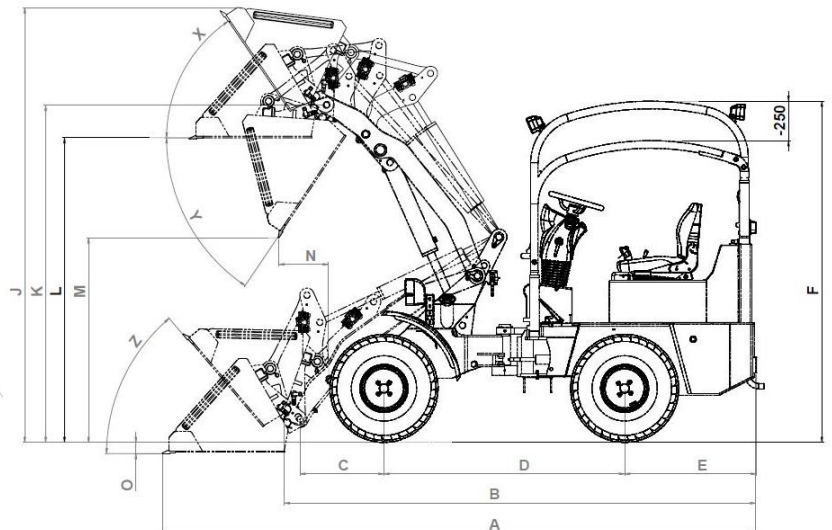
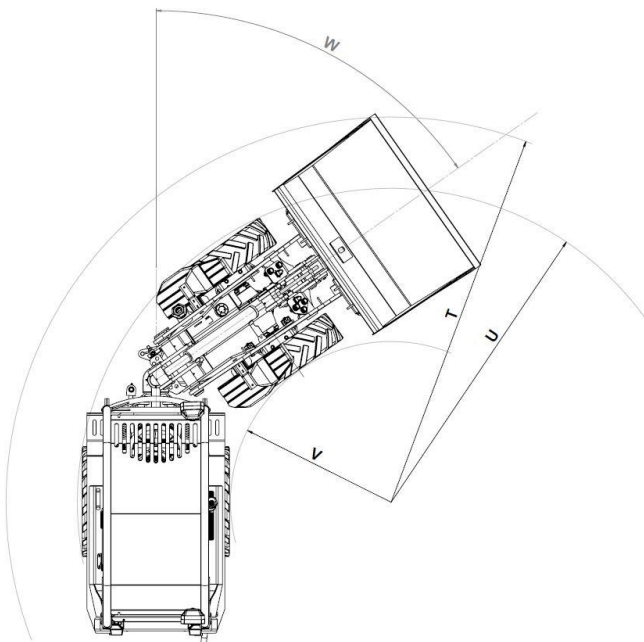


Datasheet 2326 H



		2326H
	Lifting capacities (shovel)	1400 kg
	Tipping loads – shovel	
	Machine in straight line*	900 kg
	Machine articulated position (45°)*	700 kg
	Tipping loads palet fork (50cm)*	
	Machine in straight line*	700 kg
	Machine articulated position (45°)*	500 kg
A	Total length with shovel	4080 mm
B	Total length without shovel	3325 mm
C	Axle middle to shovel pivot pin	898 mm
D	Wheelbase	1523 mm
E	Rear overhang	830 mm
F	Height over Rops-Fops protection cage	2160 mm
J	Total working height	3470 mm
K	Height of the shovel pivot pin	2870 mm
L	Load-over height	2660 mm
M	Dumping height	2140 mm
N	Operating distance for M	530 mm
O	Digging depth	60 mm
P	Total width Standard tires	920 mm
Q	Track width	722 mm
R	Width over Protective roof	660 mm
S	Ground clearance	205 mm
T	Maximum radius (external)	2650 mm
U	Radius over outer edge	1955 mm
V	Inside turning radius	1000 mm
W	Angle of articulation	55°
X	Rollback angle at max. lifting height	54°
Y	Dumping angle (maxi.)	42°
Z	Rollback angle on ground	55°
	Volume Hydraulic oil tank	36l
	Volume Diesel tank	37l
	Weight on front axle	500 kg
	Weight on rear axle	960 kg
	Empty weight	1490 kg
	Operating weight	1660 kg



Data without additional cast weight

Measures with standard tires

Measurements, non-contractual, subject to change depending on tires and attachments.

All information subject to change due to R&D.