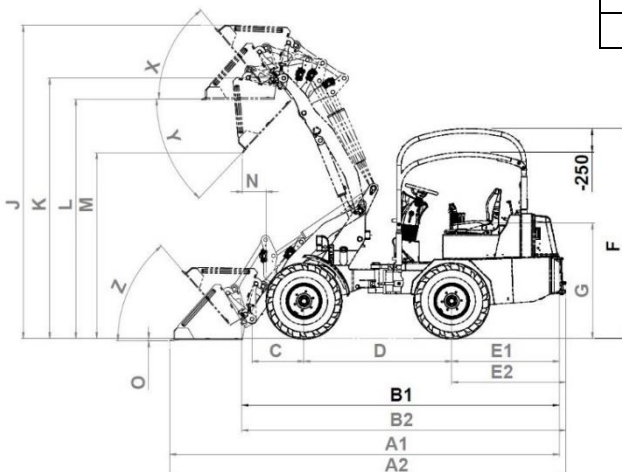
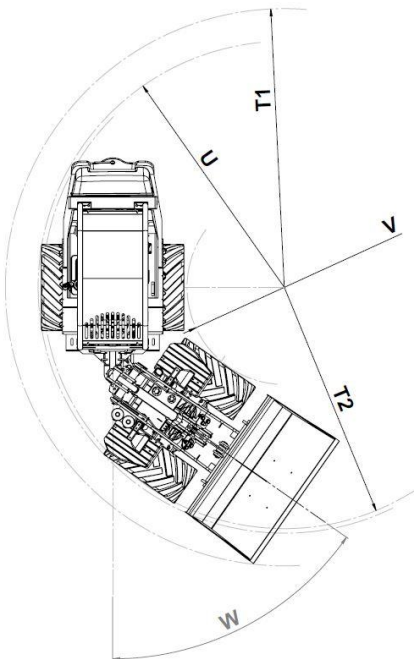
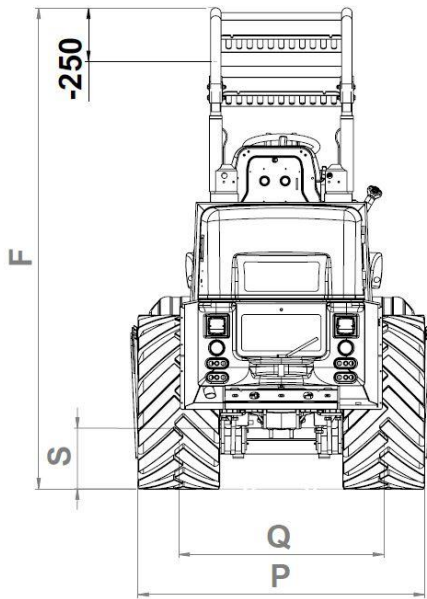


# Datasheet 2438 H



		2438H
	Lifting capacities (shovel)	1400 kg
	Tipping loads – shovel	
	Machine in straight line	1200 kg
	Machine articulated position (45°)	900 kg
	Tipping loads palet fork (50cm)	
	Machine in straight line	1000 kg
	Machine articulated position (45°)	700 kg
A1	Total length with shovel	4450 mm
A2	Total length with shovel (with weight)	4520 mm
B1	Total length without shovel	3730 mm
B2	Total length without shovel (with weight)	3755 mm
C	Axle middle to shovel pivot pin	900 mm
D	Wheelbase	1572 mm
E1	Rear overhang	1145 mm
E2	Rear overhang (with weight)	1215 mm
F	Height over Rops-Fops protection cage	2240 mm
G	Seat height	1230 mm
J	Total working height	3520 mm
K	Height of the shovel pivot pin	2935 mm
L	Load-over height	2710 mm
M	Dumping height	2220 mm
N	Operating distance for M	510 mm
O	Digging depth	20 mm
P	Total width Standard tires	1120 mm
Q	Track width	840 mm
R	Width over Protective roof	660 mm
S	Ground clearance	240 mm
T1	Max. radius by Standard bucket 1,40 m	2780 mm
T2	Max. radius by Rear overhang	2280 mm
U	Radius over outer edge	2100 mm
V	Inside turning radius	1030 mm
W	Angle of articulation	55°
X	Rollback angle at max. lifting height	54°
Y	Dumping angle (maxi.)	42°
Z	Rollback angle on ground	55°
	Volume Hydraulic oil tank	45l
	Volume Diesel tank	37l
	Weight on front axle	470 kg
	Weight on rear axle	1400 kg
	Empty weight (without weight)	1870 kg
	Operating weight	2070 kg

Data without additional cast weight  
Measures with standard tires

Measurements, non-contractual, subject to change depending on tires and attachments.

All information subject to change due to R&D.