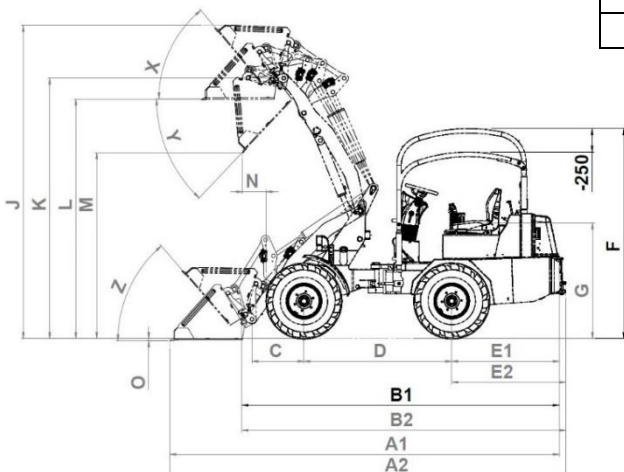
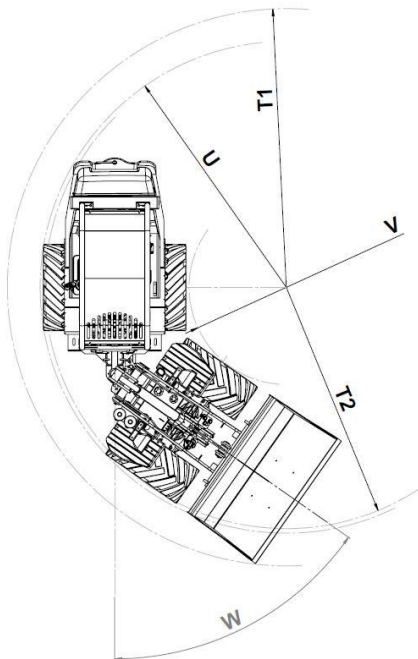
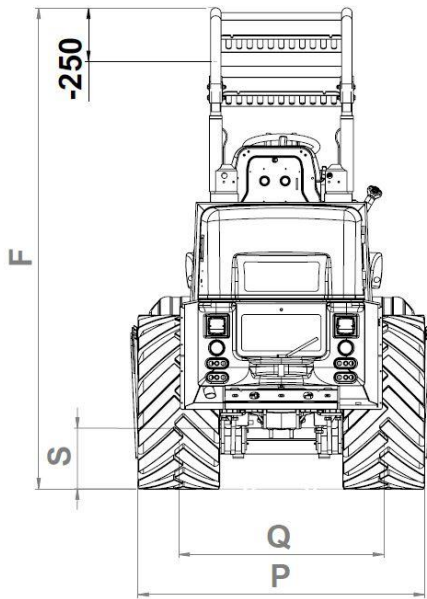


Datasheet 2438 L



		2438L
	Lifting capacities (shovel)	1700 kg
	Tipping loads – shovel	
	Machine in straight line	1500 kg
	Machine articulated position (45°)	1200 kg
	Tipping loads palet fork (50cm)	
	Machine in straight line	1200 kg
	Machine articulated position (45°)	800 kg
A1	Total length with shovel	4100 mm
A2	Total length with shovel (with weight)	4170 mm
B1	Total length without shovel	3335 mm
B2	Total length without shovel (with weight)	3405 mm
C	Axle middle to shovel pivot pin	530 mm
D	Wheelbase	1572 mm
E1	Rear overhang	1145 mm
E2	Rear overhang (with weight)	1215 mm
F	Height over Rops-Fops protection cage	2240 mm
G	Seat height	1230 mm
J	Total working height	2820 mm
K	Height of the shovel pivot pin	2210 mm
L	Load-over height	1995 mm
M	Dumping height	1375 mm
N	Operating distance for M	340 mm
O	Digging depth	25 mm
P	Total width Standard tires	1120 mm
Q	Track width	840 mm
R	Width over Protective roof	660 mm
S	Ground clearance	240 mm
T1	Max. radius by Standard bucket 1,40 m	2530 mm
T2	Max. radius by Rear overhang	2280 mm
U	Radius over outer edge	2100 mm
V	Inside turning radius	1030 mm
W	Angle of articulation	55°
X	Rollback angle at max. lifting height	55°
Y	Dumping angle (maxi.)	53°
Z	Rollback angle on ground	50°
	Volume Hydraulic oil tank	45l
	Volume Diesel tank	28l
	Weight on front axle	370 kg
	Weight on rear axle	1400 kg
	Empty weight (without weight)	1780 kg
	Operating weight	1980 kg

Data without additional cast weight
Measures with standard tires

Measurements, non-contractual, subject to change depending on tires and attachments.

All information subject to change due to R&D.