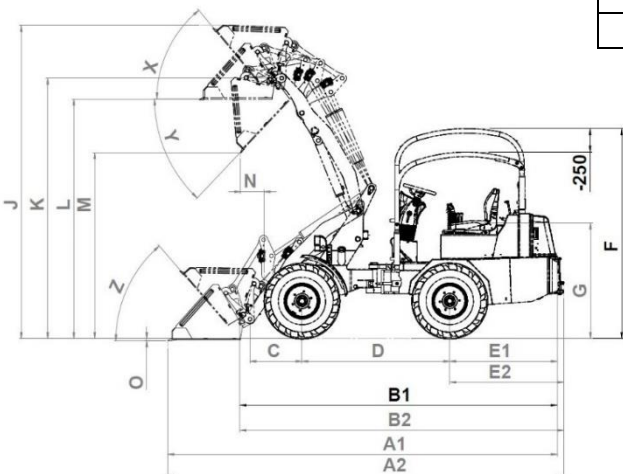
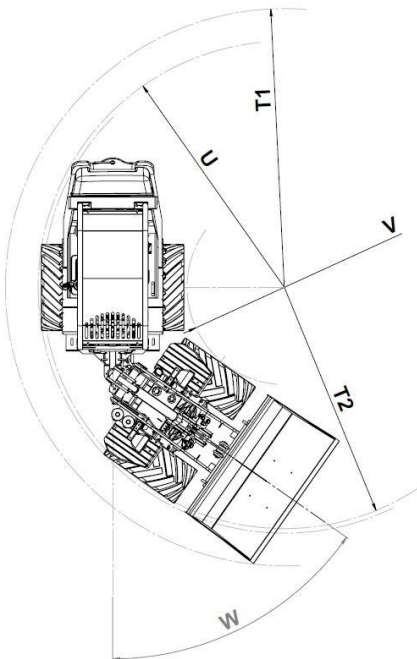
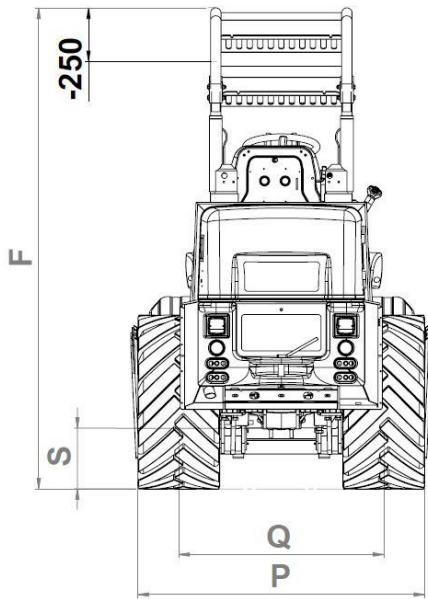


Datasheet 2438 S



		2438S
	Lifting capacities (shovel)	1600 kg
	Tipping loads – shovel	
	Machine in straight line	1400 kg
	Machine articulated position (45°)	1100 kg
	Tipping loads palet fork (50cm)	
	Machine in straight line	1100 kg
	Machine articulated position (45°)	800 kg
A1	Total length with shovel	4140 mm
A2	Total length with shovel (with weight)	4210 mm
B1	Total length without shovel	3375 mm
B2	Total length without shovel (with weight)	3445 mm
C	Axle middle to shovel pivot pin	550 mm
D	Wheelbase	1572 mm
E1	Rear overhang	1145 mm
E2	Rear overhang (with weight)	1215 mm
F	Height over Rops-Fops protection cage	2240 mm
G	Seat height	1230 mm
J	Total working height	3340 mm
K	Height of the shovel pivot pin	2760 mm
L	Load-over height	2580 mm
M	Dumping height	2040 mm
N	Operating distance for M	330 mm
O	Digging depth	25 mm
P	Total width Standard tires	1120 mm
Q	Track width	840 mm
R	Width over Protective roof	660 mm
S	Ground clearance	240 mm
T1	Max. radius by Standard bucket 1,40 m	2600 mm
T2	Max. radius by Rear overhang	2280 mm
U	Radius over outer edge	2100 mm
V	Inside turning radius	1030 mm
W	Angle of articulation	55°
X	Rollback angle at max. lifting height	50°
Y	Dumping angle (maxi.)	47°
Z	Rollback angle on ground	50°
	Volume Hydraulic oil tank	45l
	Volume Diesel tank	37l
	Weight on front axle	420 kg
	Weight on rear axle	1400 kg
	Empty weight (without weight)	1830 kg
	Operating weight	2030 kg

Data without additional cast weight
Measures with standard tires

Measurements, non-contractual, subject to change depending on tires and attachments.

All information subject to change due to R&D.