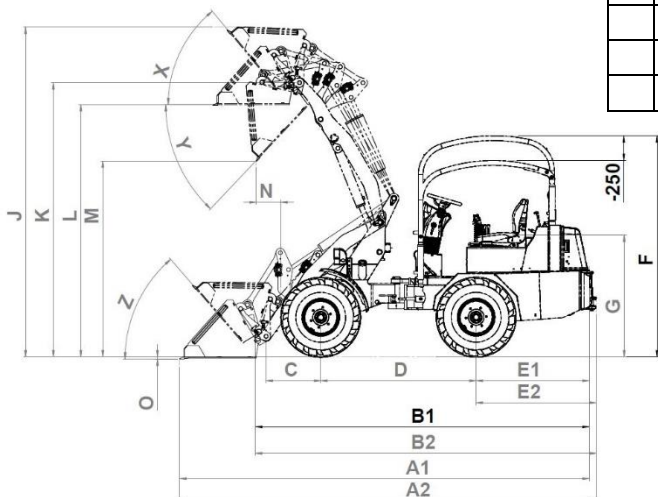
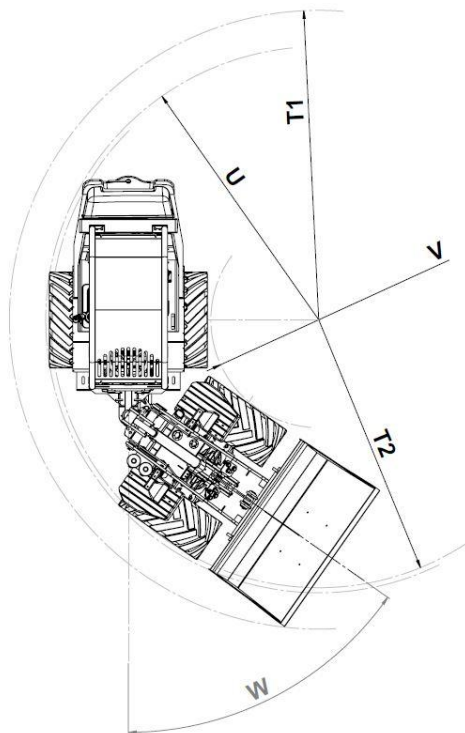
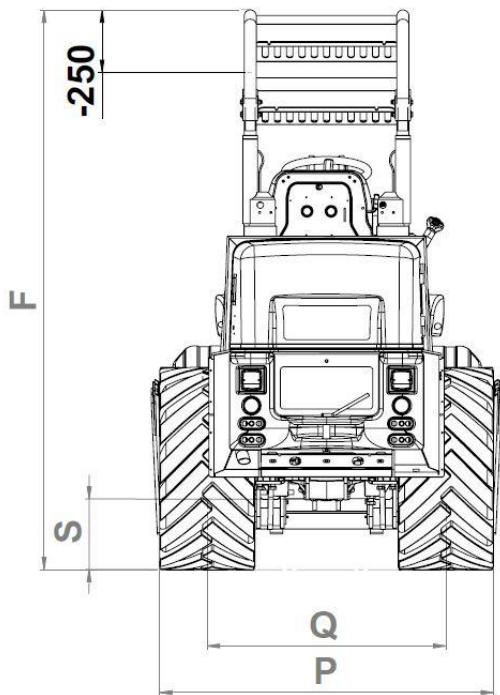


## Datasheet 2838 H



		2838H
	Lifting capacities (shovel)	1800 kg
	Tipping loads - shovel	
	Machine in straight line	1300 kg
	Machine-articulated position (45°)	1100 kg
	Tipping loads palet fork (50cm)	
	Machine straight line	1100 kg
	Machine-articulated position (45°)	700 kg
A1		4480 mm
A2	Total length with shovel	4550 mm
B1	Total length with shovel (with weight)	3750 mm
B2	Total length without shovel	3820 mm
C	Total length without shovel (with weight)	780 mm
D	Axle middle to shovel pivot pin	1670 mm
E1	Wheelbase	1145 mm
E2	Rear overhang	1215 mm
F	Rear overhang	2240 mm
G	Height over Rops-Fops protection cage	1230 mm
J	Seat height	3860 mm
K	Total working height	3330 mm
L	Height of the shovel pivot pin	3110 mm
M	Load-over height	2590 mm
N	Dumping height	325 mm
O	Operating distance for M	80 mm
P	Digging depth	1160 mm
Q	Total width Standard tires	900 mm
R	Track width	660 mm
S	Width over Protective roof	280 mm
T1	Ground clearance	2990 mm
T2	Max. radius by Standard bucket 1,40 m	2470 mm
U	Max. radius by Rear overhang	2400 mm
V	Radius over outer edge	1230 mm
W	Inside turning radius	50°
X	Angle of articulation	49°
Y	Rollback angle at max. lifting height	49°
Z	Dumping angle (maxi.)	54°
	Rollback angle on ground	45°
	Volume Hydraulic oil tank	50l
	Volume Diesel tank	580 kg
	Weight on front axle	1450 kg
	Weight on rear axle	2030 kg
	Empty weight (without weight)	2170 kg

Data without additional cast weight  
Measures with standard tires

Measurements, non-contractual, subject to change depending on tires and attachments.

All information subject to change due to R&D.