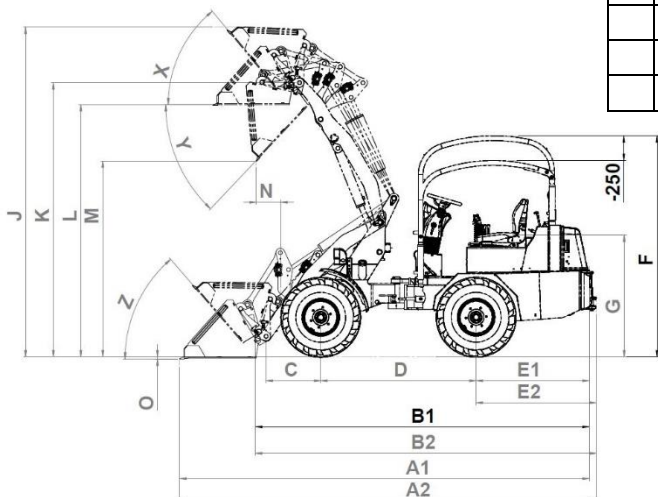
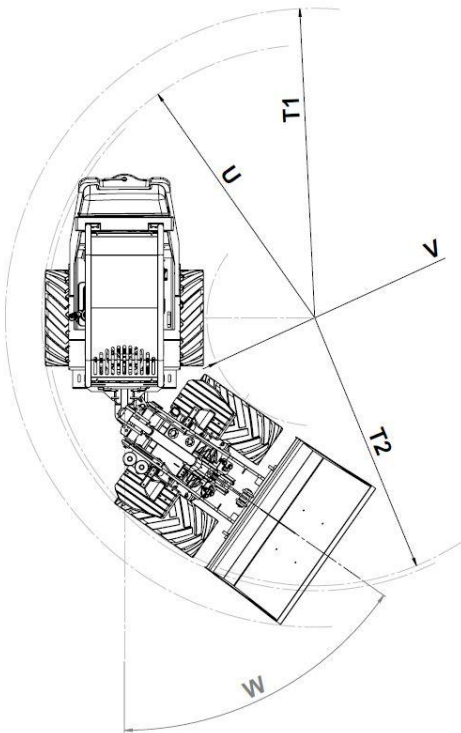
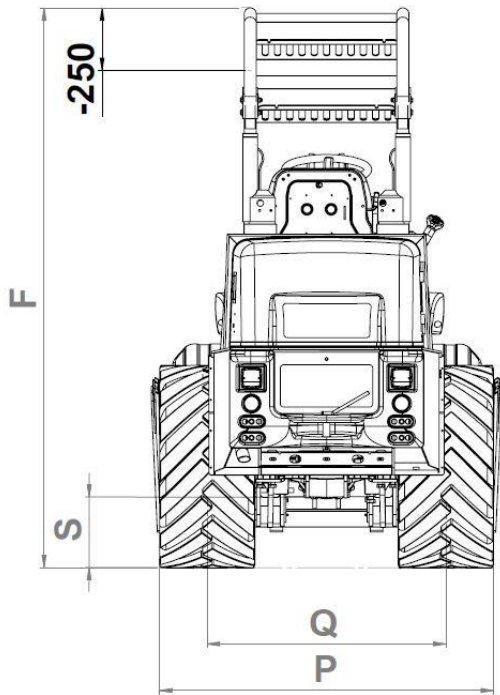


Datasheet 2838 S



		2838S
	Lifting capacities (shovel)	2000 kg
	Tipping loads - shovel	
	Machine in straight line	1600 kg
	Machine-articulated position (45°)	1200 kg
	Tipping loads palet fork (50cm)	
	Machine straight line	1250 kg
	Machine-articulated position (45°)	850 kg
A1	Total length with shovel	4280 mm
A2	Total length with shovel (with weight)	4350 mm
B1	Total length without shovel	3525 mm
B2	Total length without shovel (with weight)	3595 mm
C	Axle middle to shovel pivot pin	522 mm
D	Wheelbase	1670 mm
E1	Rear overhang	1145 mm
E2	Rear overhang	1215 mm
F	Height over Rops-Fops protection cage	2240 mm
G	Seat height	1230 mm
J	Total working height	3730 mm
K	Height of the shovel pivot pin	3130 mm
L	Load-over height	2930 mm
M	Dumping height	2390 mm
N	Operating distance for M	310 mm
O	Digging depth	45 mm
P	Total width Standard tires	1160 mm
Q	Track width	900 mm
R	Width over Protective roof	660 mm
S	Ground clearance	280 mm
T1	Max. radius by Standard bucket 1,40 m	2880 mm
T2	Max. radius by Rear overhang	2470 mm
U	Radius over outer edge	2400 mm
V	Inside turning radius	1230 mm
W	Angle of articulation	50°
X	Rollback angle at max. lifting height	53°
Y	Dumping angle (maxi.)	43°
Z	Rollback angle on ground	50°
	Volume Hydraulic oil tank	45l
	Volume Diesel tank	50l
	Weight on front axle	530 kg
	Weight on rear axle	1450 kg
	Empty weight (without weight)	1980 kg
	Operating weight	2120 kg

Data without additional cast weight
Measures with standard tires

Measurements, non-contractual, subject to change depending on tires and attachments.

All information subject to change due to R&D.