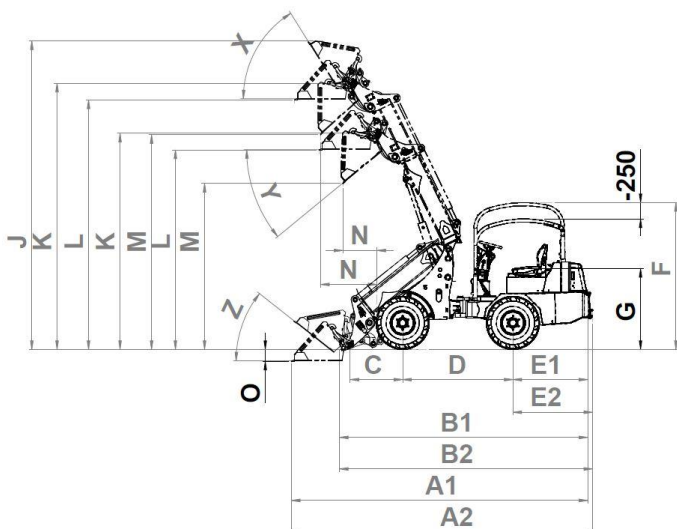
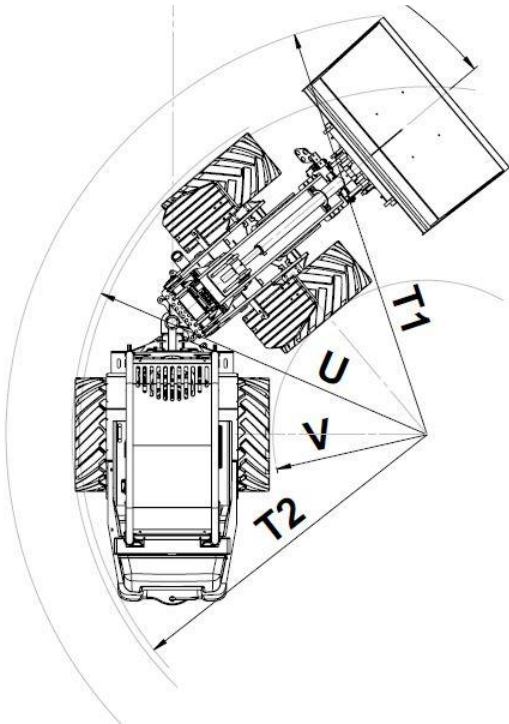
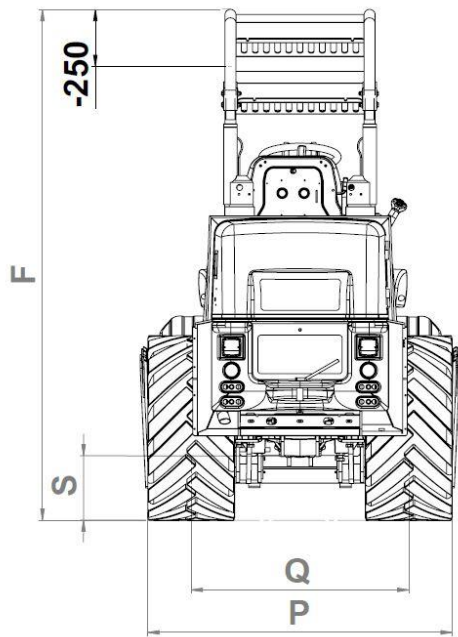


Datasheet 2838T



Lifting capacities (shovel) 2000 kg

Tipping loads - shovel

Lifting frame horizontal arm in / arm out
 Machine in straight position **1320 kg 690 kg**
 Machine in articulated pos. (55°) **900 kg 390 kg**

Tipping load pallet fork (50cm)

Lifting frame horizontal arm in / arm out
 Machine in straight position **1020 kg 570 kg**
 Machine in articulated pos. (55°) **700 kg 350 kg**

A	Total length with shovel	4725/5675 mm
B	Total length without shovel	3795/4845 mm
C	Axle middle to shovel pivot pin	910/1980 mm
D	Wheelbase	1680 mm
E	Rear overhang without/with weight	1145/1215 mm
F	Height over Rops-Fops protection cage	2240 mm
J	Total working height	3870/4620 mm
K	Height of the shovel pivot pin	3292/4056 mm
L	Load-over height	3142/3897 mm
M	Dumping height	2480/3265 mm
N	Operating distance for M	500/870 mm
O	Digging depth	100 mm
P	Total width Standard tires	1380 mm
Q	Track width	1010 mm
R	Width over Protective roof	660 mm
S	Ground clearance	280 mm
T	Maximum radius (external)	2780 mm
U	Radius over outer edge	2430 mm
V	Inside turning radius	1230 mm
W	Angle of articulation	55°
X	Rollback angle at max. lifting height	130°
Y	Dumping angle (maxi.)	50°
Z	Rollback angle on ground	44°
	Volume Hydraulic oil tank	50l
	Volume Diesel tank	50l
	Weight on front axle	1140 kg
	Weight on rear axle	1400 kg
	Empty weight	2540 kg
	Operating weight	2800 kg

Measure with standard tire

Measurements, non-contractual, subject to change depending on tires and attachments.

All information subject to change due to R&D.