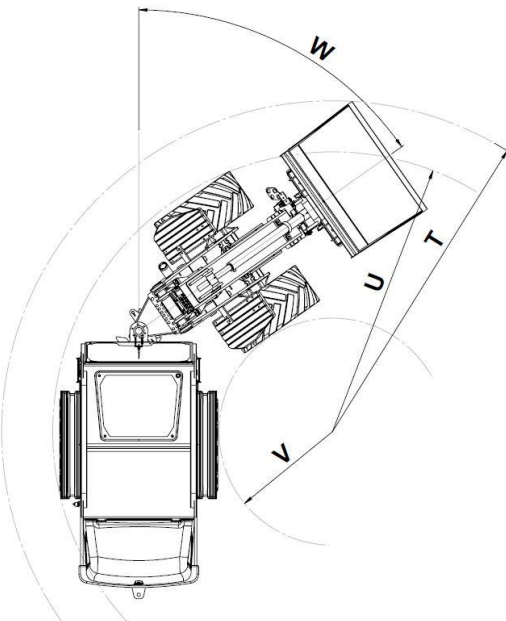
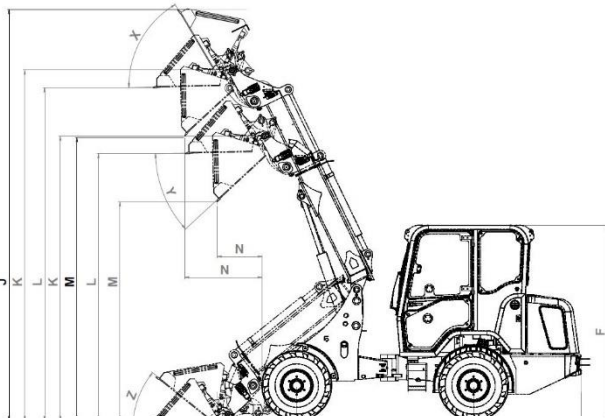
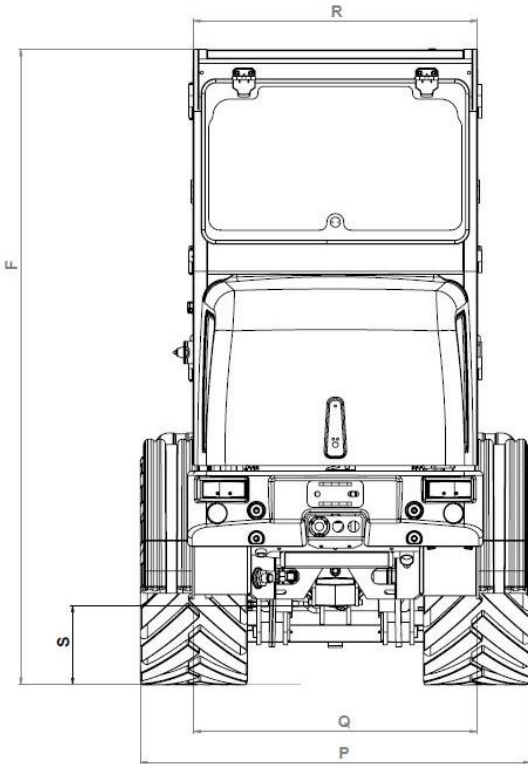


# Datasheet 3448T-5A



**Lifting capacities** **2500 kg**

**Tipping Loads Shovel**

<u>Lifting boom horizontal</u>	Boom in	Out
ca. machine in straight pos.	<b>2200 kg</b>	<b>1200 kg</b>
ca. machine articulated (20°)	<b>1600 kg</b>	<b>900 kg</b>

**Tipping loads: pallet forks (50cm)**

<u>Lifting boom horizontal</u>	Boom in	Out
ca. machine in straight pos.	<b>2000 kg</b>	<b>1000 kg</b>
ca. machine articulated (20°)	<b>1500 kg</b>	<b>700 kg</b>

<b>A</b>	<b>Total length with shovel</b>	<b>5126 mm</b>
<b>B</b>	<b>Total length without shovel</b>	<b>4317 mm</b>
	<b>Axle Centre to pivoting point</b>	<b>800 mm</b>
<b>C</b>	<b>shovel</b>	
<b>D</b>	<b>Wheel base</b>	<b>2050 mm</b>
<b>E</b>	<b>Rear Overhang</b>	<b>1354 mm</b>
<b>F</b>	<b>Height over Fops-Rops</b>	<b>2260 mm</b>
<b>F</b>	<b>Protection Cage</b>	
<b>J</b>	<b>Total working height</b>	<b>4664 mm</b>
<b>K</b>	<b>Height of shovel pivoting point</b>	<b>3292/4056 mm</b>
<b>L</b>	<b>Load over height</b>	<b>3142/3897 mm</b>
<b>M</b>	<b>Dumping height</b>	<b>2508/3272 mm</b>
<b>N</b>	<b>Operating distance for M</b>	<b>500/870 mm</b>
<b>O</b>	<b>Digging depth</b>	<b>40 mm</b>
<b>P</b>	<b>Total width standard tires</b>	<b>1660 mm</b>
<b>Q</b>	<b>Track width</b>	<b>1400 mm</b>
<b>R</b>	<b>Width over Protective roof</b>	<b>1010 mm</b>
<b>S</b>	<b>Ground clearance</b>	<b>280 mm</b>
<b>T</b>	<b>Maximum radius (external)</b>	<b>2910 mm</b>
<b>U</b>	<b>Radius over outer edge</b>	<b>2510 mm</b>
<b>V</b>	<b>Inside turning radius</b>	<b>850 mm</b>
<b>W</b>	<b>Angle of articulation only</b>	<b>23°</b>
	<b>Rollback angle at maxi. Lifting height</b>	<b>47°</b>
<b>X</b>	<b>height</b>	
<b>Y</b>	<b>Dumping angle maxi.</b>	<b>47°</b>
<b>Z</b>	<b>Rollback angle on ground level</b>	<b>39°</b>
	<b>Volume hydraulic oil tank</b>	<b>50l</b>
	<b>Volume Diesel tank</b>	<b>50l</b>
	<b>Weight on front axle</b>	<b>1000 kg</b>
	<b>Weight on rear axle</b>	<b>2000 kg</b>
	<b>Empty weight</b>	<b>3200 kg</b>
	<b>Operational weight</b>	<b>3400 kg</b>

Own weight cabin 190 kg

All data given with standard tires

Measurements, non-contractual, subject to Change depending on tires and attachments!

All information subject to change due to R&D.