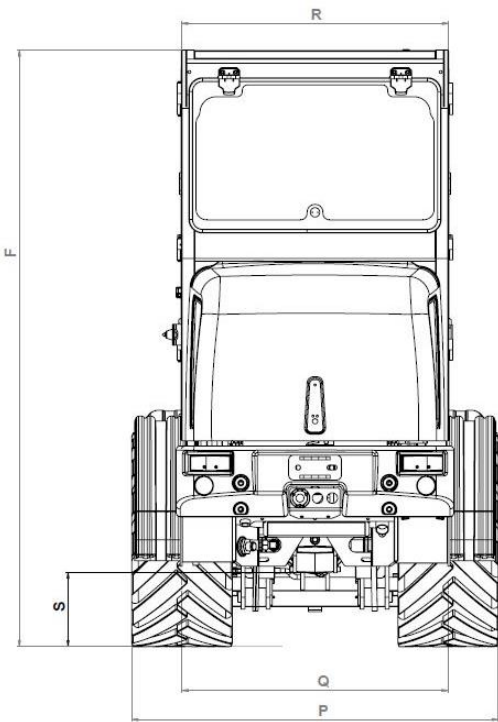
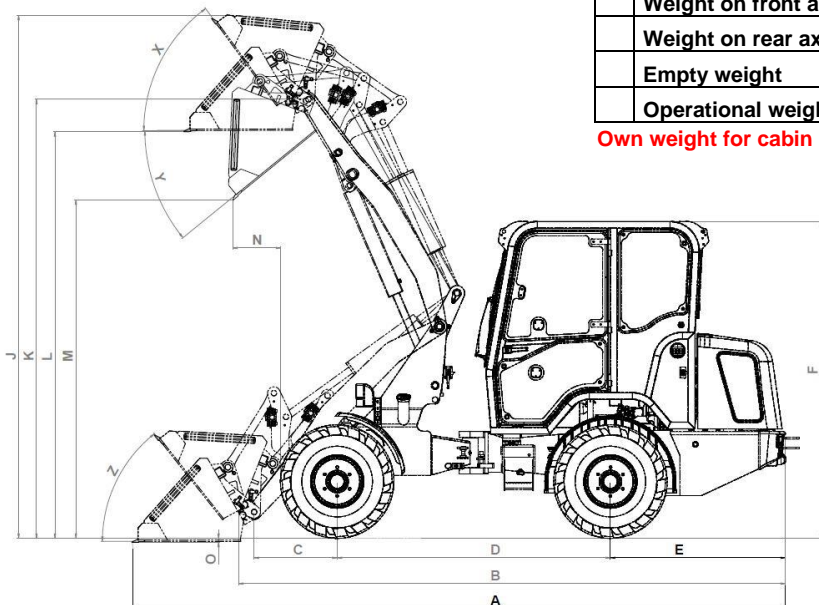
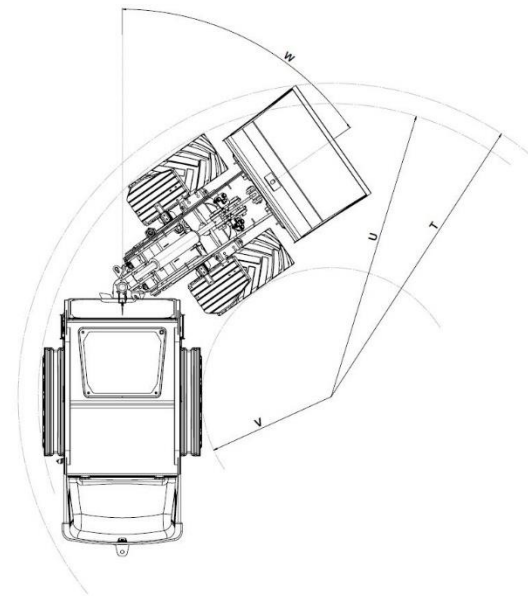


Datasheet 3448 H-5A



| | | |
|---|--|-------------|
| | | 3448H-5A |
| | Lifting capacities | 2500 kg |
| | Tipping loads (shovel) | |
| | Machine in straight position | 1700 kg |
| | Machine fully articulated (20°)* | 1300 kg |
| | Tipping loads (pallet forks - 50cm)* | |
| | Machine in straight position | 1600 kg |
| | Machine articulated (20°)* | 1200 kg |
| | | |
| A | Total length with shovel | 4985 mm |
| B | Total length without shovel | 4200 mm |
| | Axle Centre to pivoting point shovel | |
| C | | 780 mm |
| D | Wheel base | 1950 mm |
| E | Rear Overhang | 1354 mm |
| | Height over Fops-Rops Protection Cage | |
| F | | 2260 mm |
| J | Total working height | 3860 mm |
| K | Height of shovel pivoting point | 3330 mm |
| L | Load over height | 3110 mm |
| M | Dumping height | 2590 mm |
| N | Operating distance for M | 325 mm |
| O | Digging depth | 80 mm |
| P | Total width over standard tires | 1660 mm |
| Q | Track width | 1400 mm |
| R | Width over Protective roof | 1010 mm |
| S | Ground clearance | 280 mm |
| | | ca. 2980 mm |
| T | Maximum radius (external) | |
| U | Radius over outer edge | 2420 mm |
| V | Inside turning radius | 760 mm |
| W | Angle of articulation only | 20° |
| | Rollback angle at maxi. Lifting height | |
| X | | 49° |
| Y | Dumping angle maxi. | 40° |
| Z | Rollback angle on ground level | 54° |
| | Volume hydraulic oil tank | 36l |
| | Volume Diesel tank | 50l |
| | Weight on front axle | 530 kg |
| | Weight on rear axle | 1850 kg |
| | Empty weight | 2660 kg |
| | Operational weight | 2860 kg |

Own weight for cabin 190 kg



Measurements, non-contractual, subject to change depending on tires and attachments!

All information subject to change due to R&D.