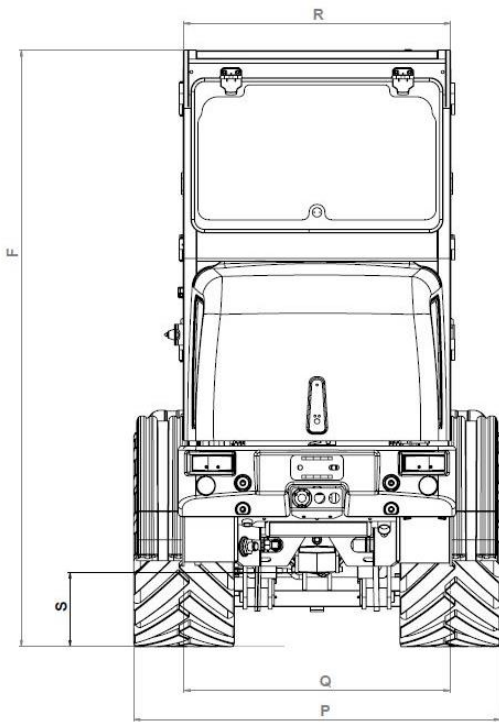


Datasheet 3448 L-5A



		3448L-5A
	Lifting capacities	2900 kg
	Tipping loads (shovel)	
	Machine in straight position	1900 kg
	Machine fully articulated (20°)*	1500 kg
	Tipping loads (pallet forks - 50cm)*	
	Machine in straight position	1800 kg
	Machine articulated (20°)*	1300 kg
A	Total length with shovel	4700 mm
B	Total length without shovel	3445 mm
C	Axle Centre to pivoting point shovel	522 mm
D	Wheel base	1950 mm
E	Rear Overhang	1354 mm
F	Height over Fops-Rops Protection Cage	2260 mm
J	Total working height	3335 mm
K	Height of shovel pivoting point	2765 mm
L	Load over height	2554 mm
M	Dumping height	1985 mm
N	Operating distance for M	235 mm
O	Digging depth	25 mm
P	Total width over standard tires	1660 mm
Q	Track width	1400 mm
R	Width over Protective roof	1010 mm
S	Ground clearance	280 mm
T	Maximum radius (external)	ca. 2980 mm
U	Radius over outer edge	2420 mm
V	Inside turning radius	760 mm
W	Angle of articulation only	20°
X	Rollback angle at maxi. Lifting height	51°
Y	Dumping angle maxi.	47°
Z	Rollback angle on ground level	50°
	Volume hydraulic oil tank	36l
	Volume Diesel tank	50l
	Weight on front axle	460 kg
	Weight on rear axle	1850 kg
	Empty weight	2590 kg
	Operational weight	2790 kg

Own weight for cabin 190 kg

Measurements, non-contractual, subject to change depending on tires and attachments!

All information subject to change due to R&D.

