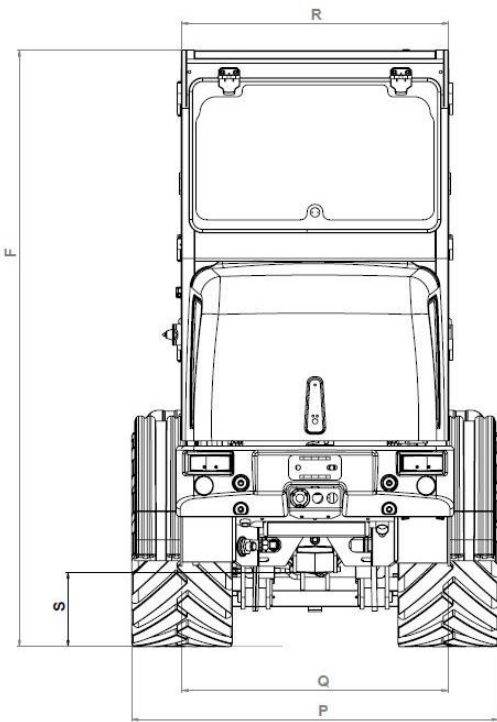
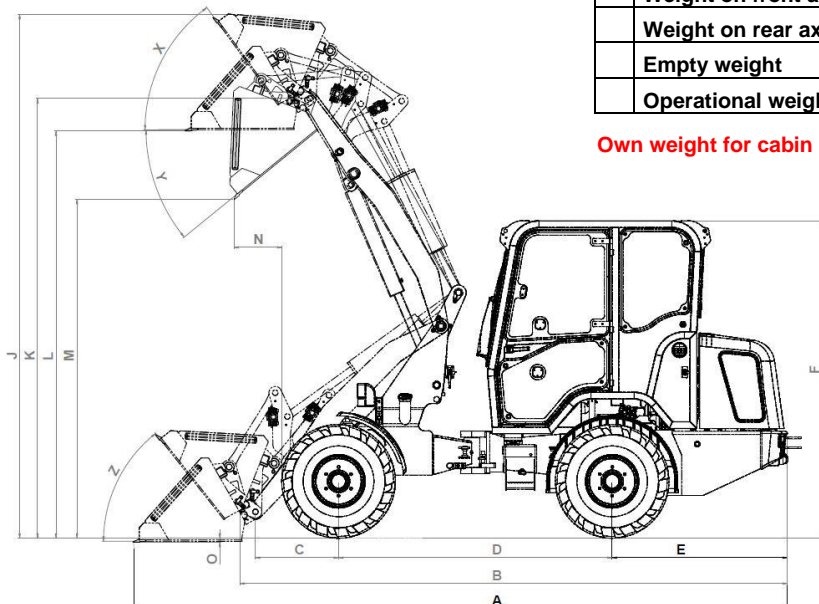
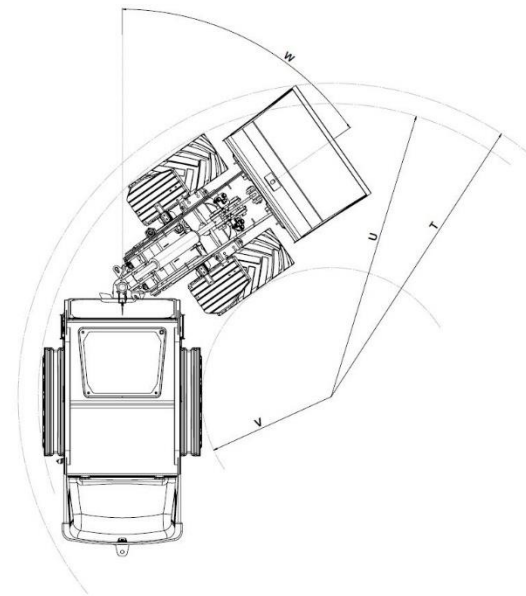


# Datasheet 3448 S-5A



		3448S-5A
	Lifting capacities	2900 kg
	Tipping loads (shovel)	
	Machine in straight position	1800 kg
	Machine fully articulated (20°)*	1510 kg
	Tipping loads (pallet forks - 50cm)*	
	Machine in straight position	1800 kg
	Machine articulated (20°)*	1300 kg
A	Total length with shovel	4765 mm
B	Total length without shovel	4005 mm
	Axle Centre to pivoting point shovel	
C		592 mm
D	Wheel base	1950 mm
E	Rear Overhang	1354 mm
	Height over Fops-Rops Protection Cage	
F		2260 mm
J	Total working height	3730 mm
K	Height of shovel pivoting point	3130 mm
L	Load over height	2930 mm
M	Dumping height	2390 mm
N	Operating distance for M	310 mm
O	Digging depth	45 mm
P	Total width over standard tires	1660 mm
Q	Track width	1400 mm
R	Width over Protective roof	1010 mm
S	Ground clearance	280 mm
T	Maximum radius (external)	2980 mm
U	Radius over outer edge	2420 mm
V	Inside turning radius	760 mm
W	Angle of articulation only	20°
X	Rollback angle at maxi. Lifting height	53°
Y	Dumping angle maxi.	43°
Z	Rollback angle on ground level	50°
	Volume hydraulic oil tank	36l
	Volume Diesel tank	50l
	Weight on front axle	490 kg
	Weight on rear axle	1850 kg
	Empty weight	2620 kg
	Operational weight	2820 kg

Own weight for cabin 190 kg



Measurements, non-contractual, subject to change depending on tires and attachments!

All information subject to change due to R&D.