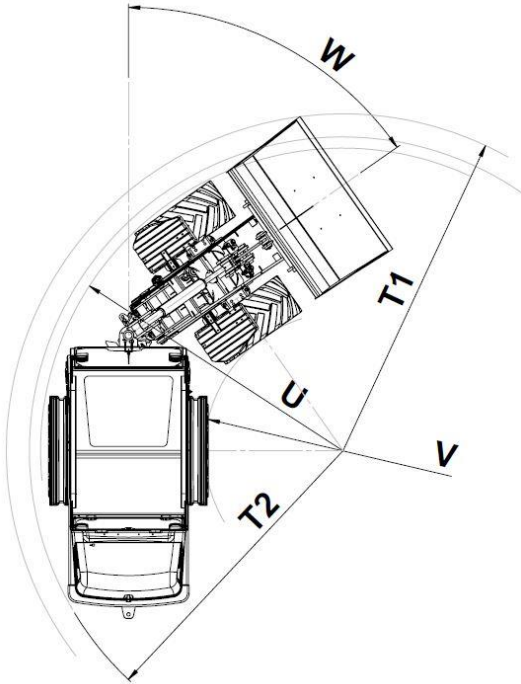
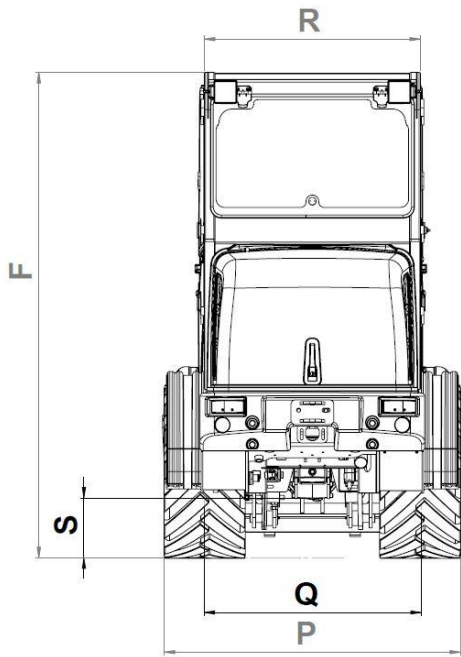
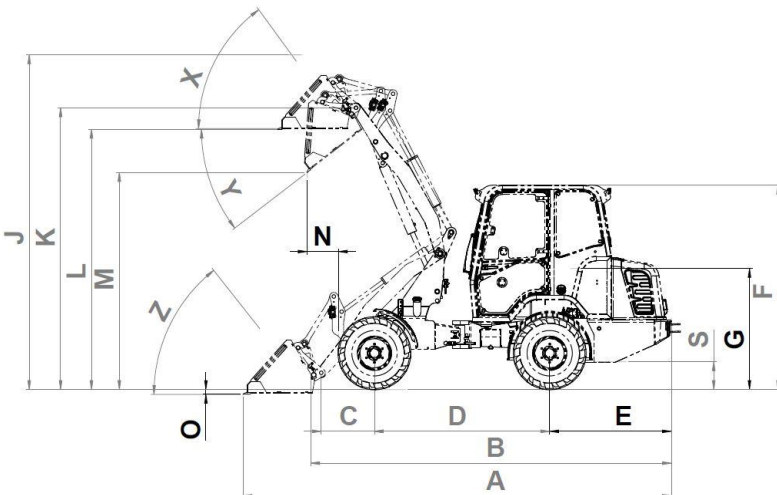


Datasheet 3448 H



		3448H
	Lifting capacities (shovel)	2500 kg
	Tipping loads - shovel	
	Machine in straight line	1700 kg
	Machine-articulated position (45°)	1300 kg
	Tipping loads palet fork (50cm)	
	Machine in straight line	1600 kg
	Machine-articulated position (45°)	1200 kg
A	Total length with shovel	4985 mm
B	Total length without shovel	4200 mm
C	Axle middle to shovel pivot pin	780 mm
D	Wheelbase	1950 mm
E	Rear overhang	1355 mm
F	Height over Rops-Fops protection cage	2270 mm
G	Seat height	1260 mm
J	Total working height	3860 mm
K	Height of the shovel pivot pin	3330 mm
L	Load-over height	3110 mm
M	Dumping height	2590 mm
N	Operating distance for M	325 mm
O	Digging depth	80 mm
P	Total width Standard tires	1160 mm
Q	Track width	900 mm
R	Width over Protective roof	1010 mm
S	Ground clearance	280 mm
T1	Maximum radius (external)	3020 mm
T2	Max. radius by Rear overhang	2720 mm
U	Radius over outer edge	2382 mm
V	Inside turning radius	1210 mm
W	Angle of articulation	55°
X	Rollback angle at max. lifting height	49°
Y	Dumping angle (maxi.)	40°
Z	Rollback angle on ground	54°
	Volume Hydraulic oil tank	40l
	Volume Diesel tank	50l
	Weight on front axle	480 kg
	Weight on rear axle	2070 kg
	Empty weight	2490 kg
	Operating weight	2730 kg



Own weight cabin: 190 kg
Data without additional cast weight

Measure with standard tire

Measurements, non-contractual, subject to change depending on tires and attachments.

All information subject to change due to R&D.