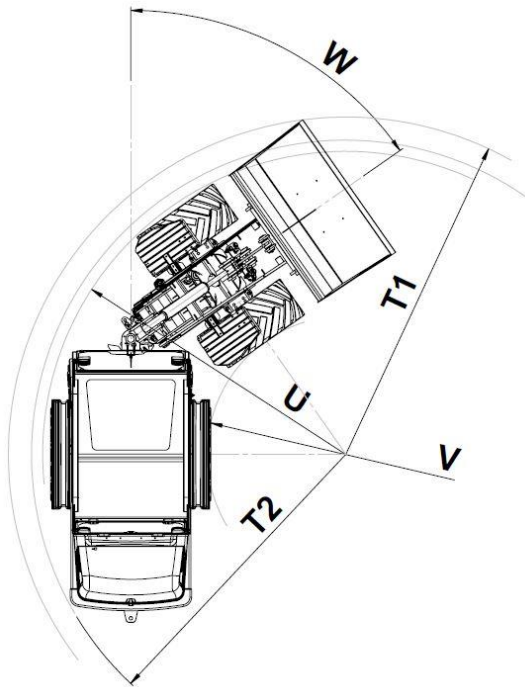
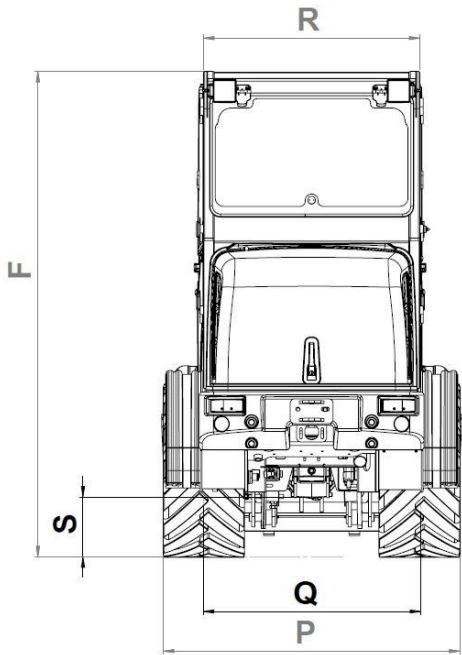
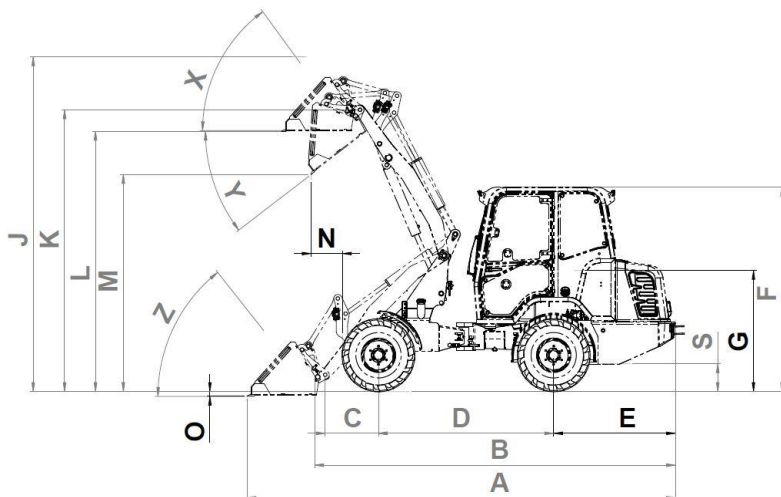


# Datasheet 3448 L



	*	3448L
	Lifting capacities (shovel)*	2900 kg
	Tipping loads - shovel	
	Machine in straight line*	1900 kg
	Machine-articulated position (45°)*	1500 kg
	Tipping loads palet fork (50cm)	
	Machine in straight line*	1800 kg
	Machine-articulated position (45°)*	1300 kg
A	Total length with shovel	4700 mm
B	Total length without shovel	3445 mm
C	Axle middle to shovel pivot pin	522 mm
D	Wheelbase	1950 mm
E	Rear overhang	1355 mm
F	Height over Rops-Fops protection cage	2270 mm
G	Seat height	1260 mm
J	Total working height	3335 mm
K	Height of the shovel pivot pin	2765 mm
L	Load-over height	2554 mm
M	Dumping height	1985 mm
N	Operating distance for M	235 mm
O	Digging depth	25 mm
P	Total width Standard tires	1160 mm
Q	Track width	900 mm
R	Width over Protective roof	1010 mm
S	Ground clearance	280 mm
T1	Maximum radius (external)	2880 mm
T2	Max. radius by Rear overhang	2720 mm
U	Radius over outer edge	2382 mm
V	Inside turning radius	1210 mm
W	Angle of articulation	55°
X	Rollback angle at max. lifting height	51°
Y	Dumping angle (maxi.)	47°
Z	Rollback angle on ground	50°
	Volume Hydraulic oil tank	40l
	Volume Diesel tank	50l
	Weight on front axle	410 kg
	Weight on rear axle	2000 kg
	Empty weight	2410 kg
	Operating weight	2650 kg



**Own weight cabin: 190 kg**

Data without additional cast weight  
Measure with standard tire

Measurements, non-contractual, subject to change depending on tires and attachments.

**All information subject to change due to R&D.**