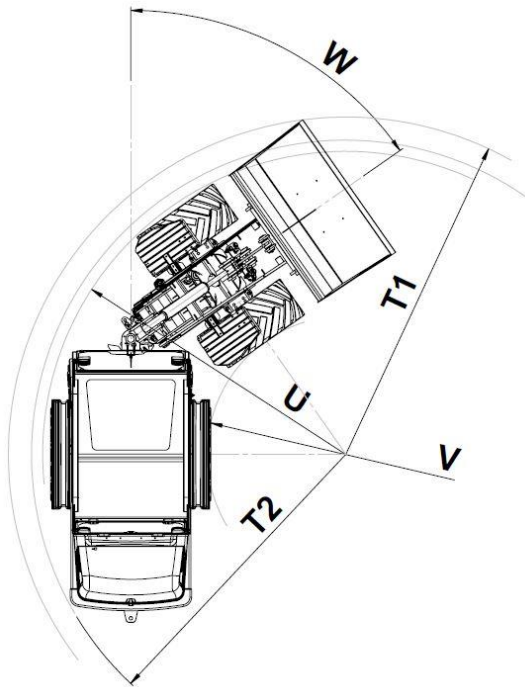
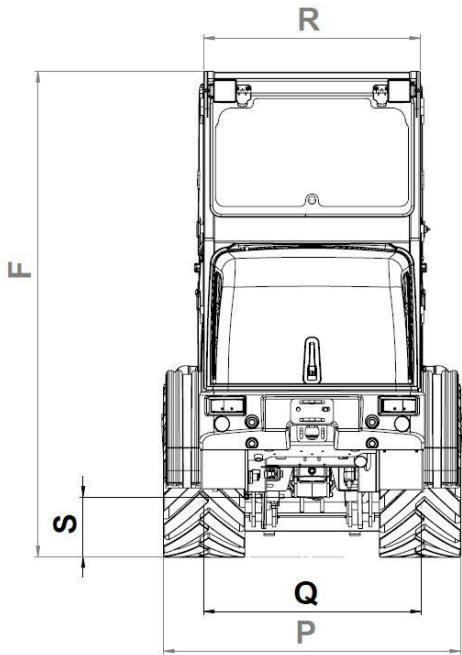
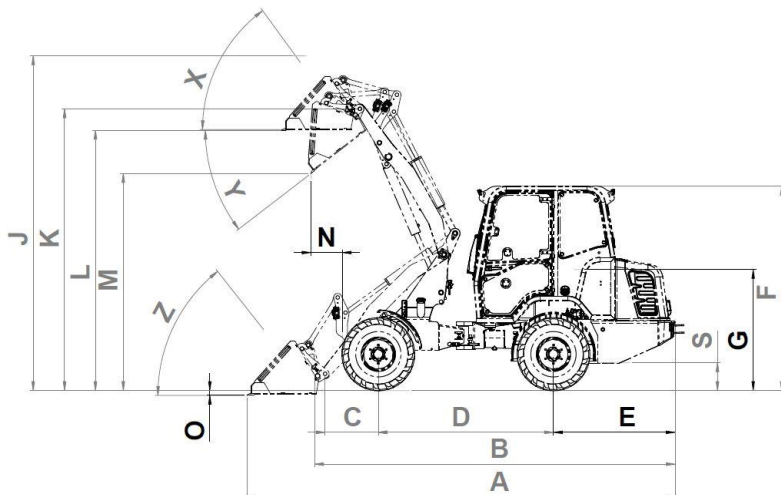


Datasheet 3448 S



		3448S
	Lifting capacities (shovel)	2900 kg
	Tipping loads - shovel	
	Machine in straight line	1800 kg
	Machine-articulated position (45°)	1510 kg
	Tipping loads palet fork (50cm)	
	Machine in straight line	1800 kg
	Machine-articulated position (45°)	1300 kg
A	Total length with shovel	4765 mm
B	Total length without shovel	4005 mm
C	Axle middle to shovel pivot pin	592 mm
D	Wheelbase	1950 mm
E	Rear overhang	1355 mm
F	Height over Rops-Fops protection cage	2270 mm
G	Seat height	1260 mm
J	Total working height	3730 mm
K	Height of the shovel pivot pin	3130 mm
L	Load-over height	2930 mm
M	Dumping height	2390 mm
N	Operating distance for M	310 mm
O	Digging depth	55 mm
P	Total width Standard tires	1160 mm
Q	Track width	900 mm
R	Width over Protective roof	1010 mm
S	Ground clearance	280 mm
T1	Maximum radius (external)	2920 mm
T2	Max. radius by Rear overhang	2720 mm
U	Radius over outer edge	2382 mm
V	Inside turning radius	1210 mm
W	Angle of articulation	55°
X	Rollback angle at max. lifting height	53°
Y	Dumping angle (maxi.)	43°
Z	Rollback angle on ground	50°
	Volume Hydraulic oil tank	40l
	Volume Diesel tank	50l
	Weight on front axle	440 kg
	Weight on rear axle	2030 kg
	Empty weight	2450 kg
	Operating weight	2690 kg



Own weight cabin: 190 kg
 Data without additional cast weight
 Measure with standard tire

Measurements, non-contractual, subject to change depending on tires and attachments.

All information subject to change due to R&D.