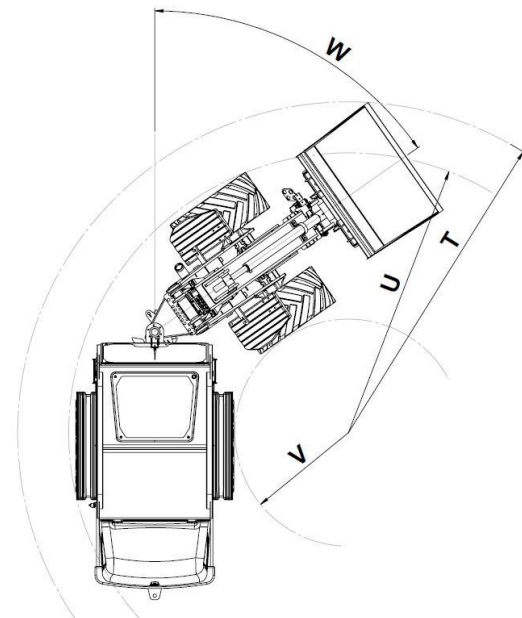
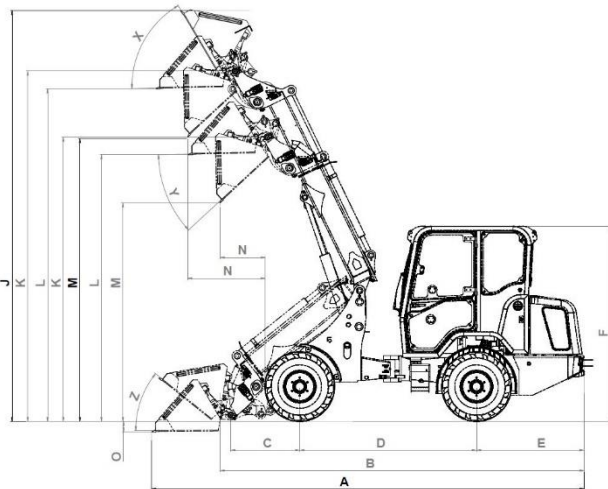
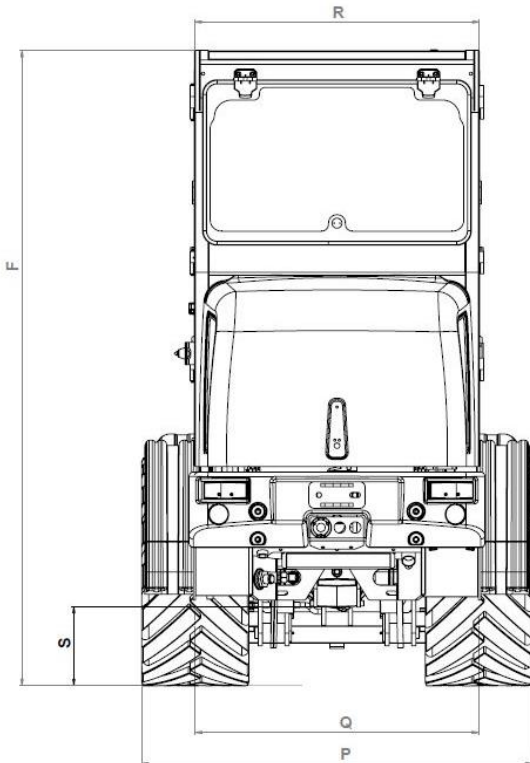


# Datasheet 3448T



<b>Lifting capacities (shovel)</b>	<b>2500 kg</b>	
<b>Tipping loads - shovel – telescopic arm</b>		
<u>Lifting frame horizontal</u>	arm in / arm out.	
Machine in straight position	<b>2280 kg</b>	<b>1270 kg</b>
Machine in articulated pos. (55°)	<b>1680 kg</b>	<b>940 kg</b>

<b>Tipping load pallet fork (50cm)</b>		
<u>Lifting frame horizontal</u>	arm in / arm out	
Machine in straight position	<b>2070 kg</b>	<b>1330 kg</b>
Machine in articulated pos. (55°)	<b>1570 kg</b>	<b>730 kg</b>

<b>A</b>	<b>Total length with shovel</b>	<b>5230 mm</b>
<b>B</b>	<b>Total length without shovel</b>	<b>4420 mm</b>
<b>C</b>	<b>Axle middle to shovel pivot pin</b>	<b>800 mm</b>
<b>D</b>	<b>Wheelbase</b>	<b>2050 mm</b>
<b>E</b>	<b>Rear overhang</b>	<b>1354 mm</b>
<b>F</b>	<b>Height over Rops-Fops protection cage</b>	<b>2270 mm</b>
<b>J</b>	<b>Total working height</b>	<b>4664 mm</b>
<b>K</b>	<b>Height of the shovel pivot pin</b>	<b>3292/4056 mm</b>
<b>L</b>	<b>Load-over height</b>	<b>3142/3897 mm</b>
<b>M</b>	<b>Dumping height</b>	<b>2508/3272 mm</b>
<b>N</b>	<b>Operating distance for M</b>	<b>500/870 mm</b>
<b>O</b>	<b>Digging depth</b>	<b>40 mm</b>
<b>P</b>	<b>Total width Standard tires</b>	<b>1386 mm</b>
<b>Q</b>	<b>Track width</b>	<b>1006 mm</b>
<b>R</b>	<b>Width over Protective roof</b>	<b>1010 mm</b>
<b>S</b>	<b>Ground clearance</b>	<b>280 mm</b>
<b>T</b>	<b>Maximum radius (external)</b>	<b>2574 mm</b>
<b>U</b>	<b>Radius over outer edge</b>	<b>2967 mm</b>
<b>V</b>	<b>Inside turning radius</b>	<b>1257 mm</b>
<b>W</b>	<b>Angle of articulation</b>	<b>55°</b>
<b>X</b>	<b>Rollback angle at max. lifting height</b>	<b>47°</b>
<b>Y</b>	<b>Dumping angle (maxi.)</b>	<b>47°</b>
<b>Z</b>	<b>Rollback angle on ground</b>	<b>39°</b>
	<b>Volume Hydraulic oil tank</b>	<b>50l</b>
	<b>Volume Diesel tank</b>	<b>50l</b>
	<b>Weight on front axle</b>	<b>800 kg</b>
	<b>Weight on rear axle</b>	<b>2000 kg</b>
	<b>Empty weight</b>	<b>2800 kg</b>
	<b>Operating weight</b>	<b>3300 kg</b>

Own weight cabin: 190 kg

Measure with standard tire

Measurements, non-contractual, subject to change depending on tires and attachments.

All information subject to change due to R&D.