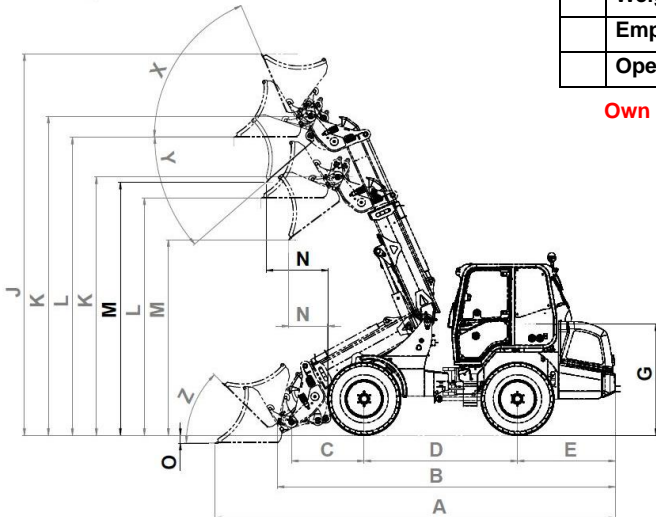
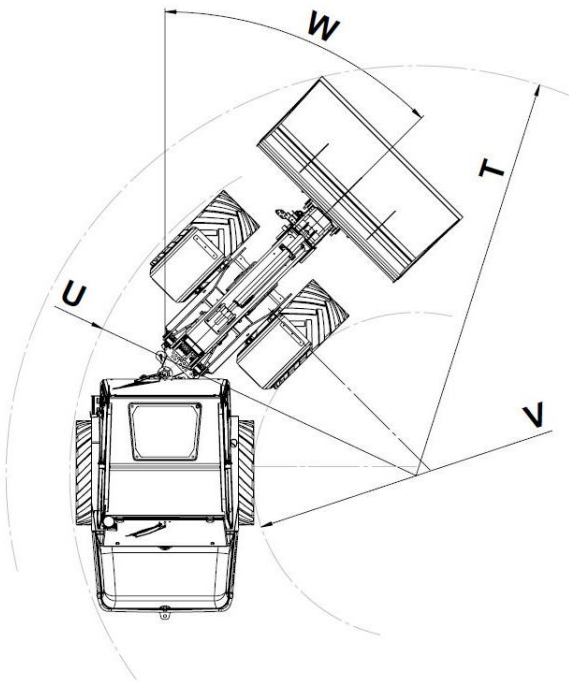
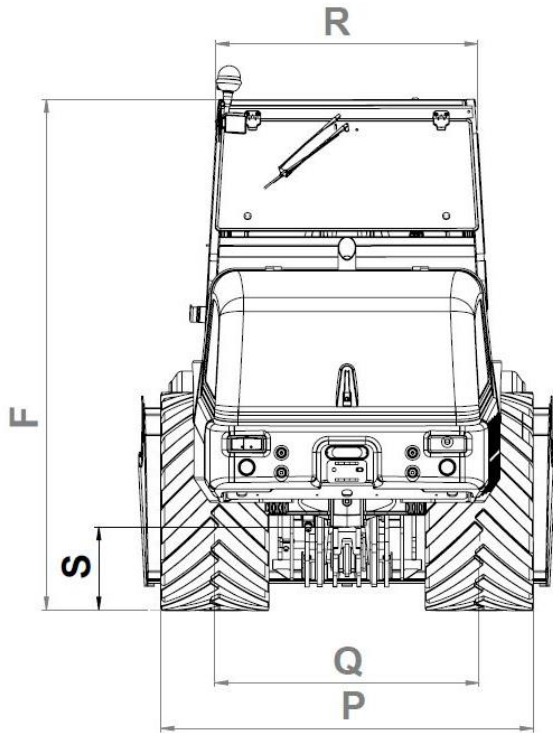


Datenblatt 4275T



	405/70R20 550/55R22,5 455/65R19,5	500/45R20	600/40R22,5
Lifting capacities (shovel)	4000 kg		
Tipping loads - shovel			
Machine in straight line	3000 kg		
Machine-articulated position (45°)	2500 kg		
Tipping loads palet fork (50cm)			
Machine in straight line	2500 kg		
Machine-articulated position (45°)	2000 kg		
A Total length with shovel	5750 mm		
B Total length without shovel	5070 mm		
C Axle middle to shovel pivot pin	1090 mm		
D Wheelbase	2300 mm		
E Rear overhang	1470 mm		
F Height over Rops-Fops protection cage	Siehe Reifen Optionen Seite 26		
J Total working height	5540 mm		
K Height of the shovel pivot pin	3850-4760 mm		
L Load-over height	3550/4460 mm	3490/4400 mm	
M Dumping height	3910 mm		3850 mm
N Operating distance for M			
O Digging depth	60 mm	110 mm	100 mm
P Total width Standard tires	Siehe Reifen Optionen Seite 26		
Q Track width	1390 mm		
R Width over Protective roof	1320 mm		
S Ground clearance	420 mm	360 mm	420 mm
T Maximum radius (external)	4320 mm		
U Radius over outer edge	3650 mm		
V Inside turning radius	1720 mm		
W Angle of articulation	45°		
X Rollback angle at max. lifting height	68°		
Y Dumping angle (maxi.)	40°		
Z Rollback angle on ground	44°		
Volume Hydraulic oil tank	70l		
Volume Diesel tank	50l		
Weight on front axle	1700 kg		
Weight on rear axle	3200 kg		
Empty weight	4900 kg		
Operating weight	5200 kg		

Own weight cabin: 250 kg

Measurements, non-contractual, subject to change depending on tires and attachments.

All information subject to change due to R&D.